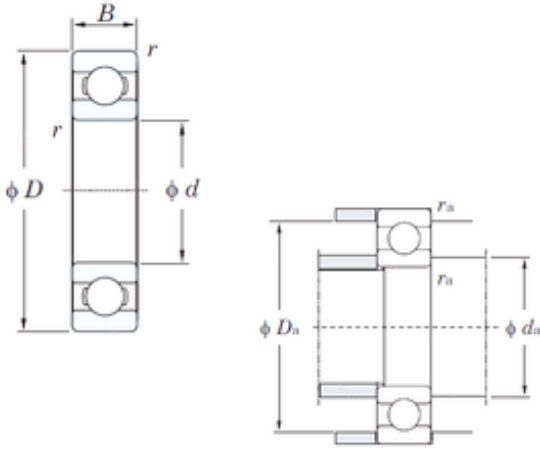




NTN BEARING DRIVESHAFT,INC.



6311 Bearing 2D drawings and 3D CAD models

Motorcycle/Egine/Electric
 Motor/Pump/Generator Bearings 6311 6312 6313
 6314 6315 6316 6317 6318 6319 6320 6321 6322 Zz
 2RS NTN Timken NSK Koyo SKF Ball Bearing

Bearing No. 6311

| | |
|-------------------------------|--------------------------|
| Size | 55x120x29 mm |
| Bore Diameter | 55 mm |
| Outer Diameter | 120 mm |
| Width | 29 mm |
| d | 55 mm |
| D | 120 mm |
| B | 29 mm |
| C | 29 mm |
| r min. | 2 mm |
| da min. | 64 mm |
| Da max. | 111 mm |
| ra max. | 2 mm |
| Weight | 1,37 Kg |
| Basic dynamic load rating (C) | 71,6 kN |
| Basic static load rating (C0) | 45 kN |
| (Grease) Lubrication Speed | 5600 r/min |
| (Oil) Lubrication Speed | 6700 r/min |
| Category | Single Row Ball Bearings |
| Inventory | 0.0 |
| Manufacturer Name | KOYO |
| Minimum Buy Quantity | N/A |
| Weight / Kilogram | 1.478 |
| Product Group | B00308 |



NTN BEARING DRIVESHAFT,INC.

| | |
|---------------------------------|---------------------------------------------------------------------------------------------------------------------------------------------------------------|
| Enclosure | Open |
| Precision Class | ABEC 1 ISO P0 |
| Maximum Capacity / Filling Slot | No |
| Rolling Element | Ball Bearing |
| Snap Ring | No |
| Internal Special Features | No |
| Cage Material | Steel |
| Internal Clearance | C0-Medium |
| Inch - Metric | Metric |
| Long Description | 55MM Bore; 120MM Outside Diameter; 29MM Outer Race Diameter; Open; Ball Bearing; ABEC 1 ISO P0; No Filling Slot; No Snap Ring; No Internal Special Features |
| Category | Single Row Ball Bearing |
| UNSPSC | 31171504 |
| Harmonized Tariff Code | 8482.10.50.68 |
| Noun | Bearing |
| Keyword String | Ball |
| Manufacturer URL | http://www.koyousa.com |
| Manufacturer Item Number | 6311 |
| Weight / LBS | 3.255 |
| Outer Race Width | 1.142 Inch 29 Millimeter |
| Bore | 2.165 Inch 55 Millimeter |
| Outside Diameter | 4.724 Inch 120 Millimeter |
| Bearing No. | 6311 |
| r(min) | 2 |
| Cr | 89.5 |
| C0r | 45.0 |
| Cu | 3.45 |
| f0 | 13.2 |
| | |



NTN BEARING DRIVESHAFT,INC.

| | |
|------------------|------|
| Grease lub. | 5600 |
| Oil lub. | 6700 |
| da(min) | 64 |
| Da(max) | 111 |
| ra(max) | 2 |
| (Refer.)Mass(kg) | 1.37 |